

Diamond Configurer

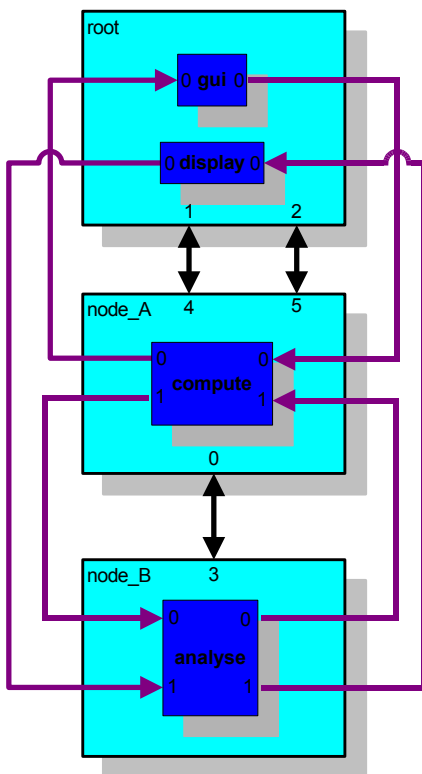
The Diamond Configurer is a PC utility that builds a Diamond application.

The configurer is controlled by a textual *configuration file* that:

Physical topology: defines the processors (TIMs) in your system and the wires (communication ports) connecting them;

Logical topology: defines the tasks in your system and the connections (channels) amongst them;

Mapping of logical onto physical: places tasks on processors and connections on wires.



```
! Sample configuration file

PROCESSOR root    type=SMT335
PROCESSOR node_A type=SMT375
PROCESSOR node_B type=SMT375E CACHE=ON

WIRE ? root[1]   node_A[4]
WIRE ? root[2]   node_A[5]
WIRE ? node_A[0] node_B[3]

TASK gui      ins=1 outs=1 data=12K
TASK compute  ins=2 outs=2 data=100K
TASK analyse  ins=2 outs=2 STACK=10K HEAP=2M
TASK display  ins=1 outs=1 DATA=20K

CONNECT ? gui[0]      compute[0]
CONNECT ? compute[0]  gui[0]
CONNECT ? compute[1]  analyse[0]
CONNECT ? analyse[0]  compute[1]
CONNECT ? display[0]  analyse[1]
CONNECT ? analyse[1]  display[0]

PLACE gui      root
PLACE display  root
PLACE compute  node_A
PLACE analyse  node_B
```