

US-D1 UAV Radar

Small. Easy Setup. Highly Customizable.



AINSTEIN

Safety from numbers

ADDRESS:
2029 Becker Drive,
Lawrence, KS 66047 USA

EMAIL:
hi@ainstein.ai

PHONE:
785-856-0460

Technical Data

US-D1 Specifications

Frequency Band	24 GHz
Bandwidth	190 MHz
Minimum Operating Altitude	0.5 meters
Maximum Operating Altitude	50 meters
Altitude Precision	6.0cm (< 1m), 4.0cm (> 1m)
Field of View	43 ° x 30 °
Interface	UART, CAN
Update Rate	100 Hz
Supply Voltage	5V~13V DC (5.5V recommended)
Power Consumption	2W(at 5 Volts DC input)
Operational Temperature Range	-20 °C ~ 65 °C*
Size	108 x 79 x 20 millimeters
Weight	110 grams
Environmental Conditions	IP67(with sealant)

Mechanical Drawing

Figure 1: Dimensions of US-D1 (Units: mm)

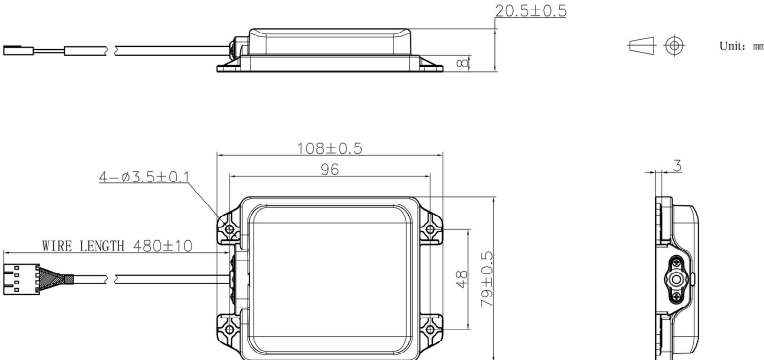


Figure 2: Field of View Orientation

