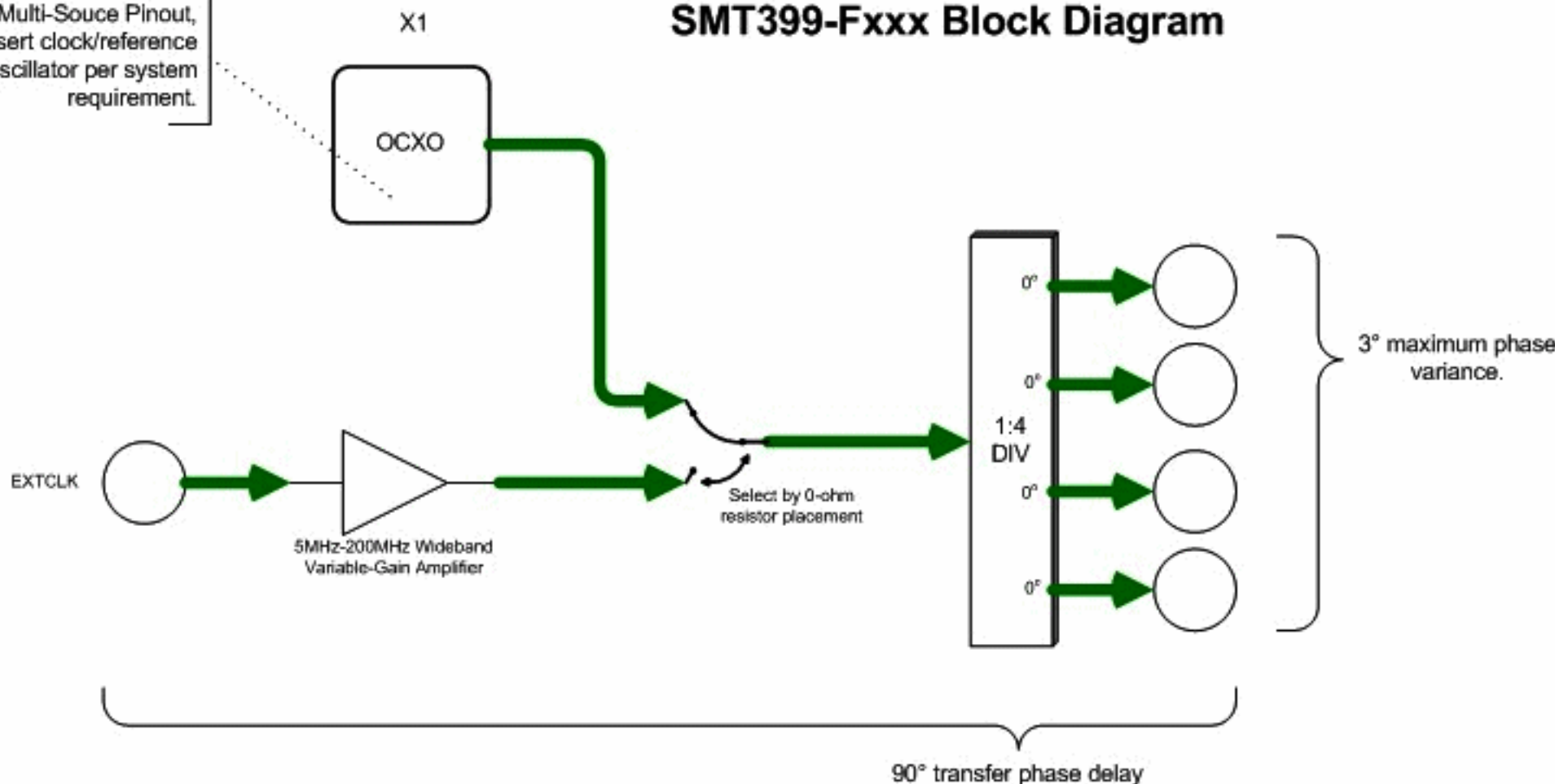


Multi-Source Pinout,  
insert clock/reference  
oscillator per system  
requirement.

# SMT399-Fxxx Block Diagram



X1

OCXO

EXTCLK

5MHz-200MHz Wideband  
Variable-Gain Amplifier

Select by 0-ohm  
resistor placement

1:4  
DIV

0°

0°

0°

0°

3° maximum phase  
variance.

90° transfer phase delay