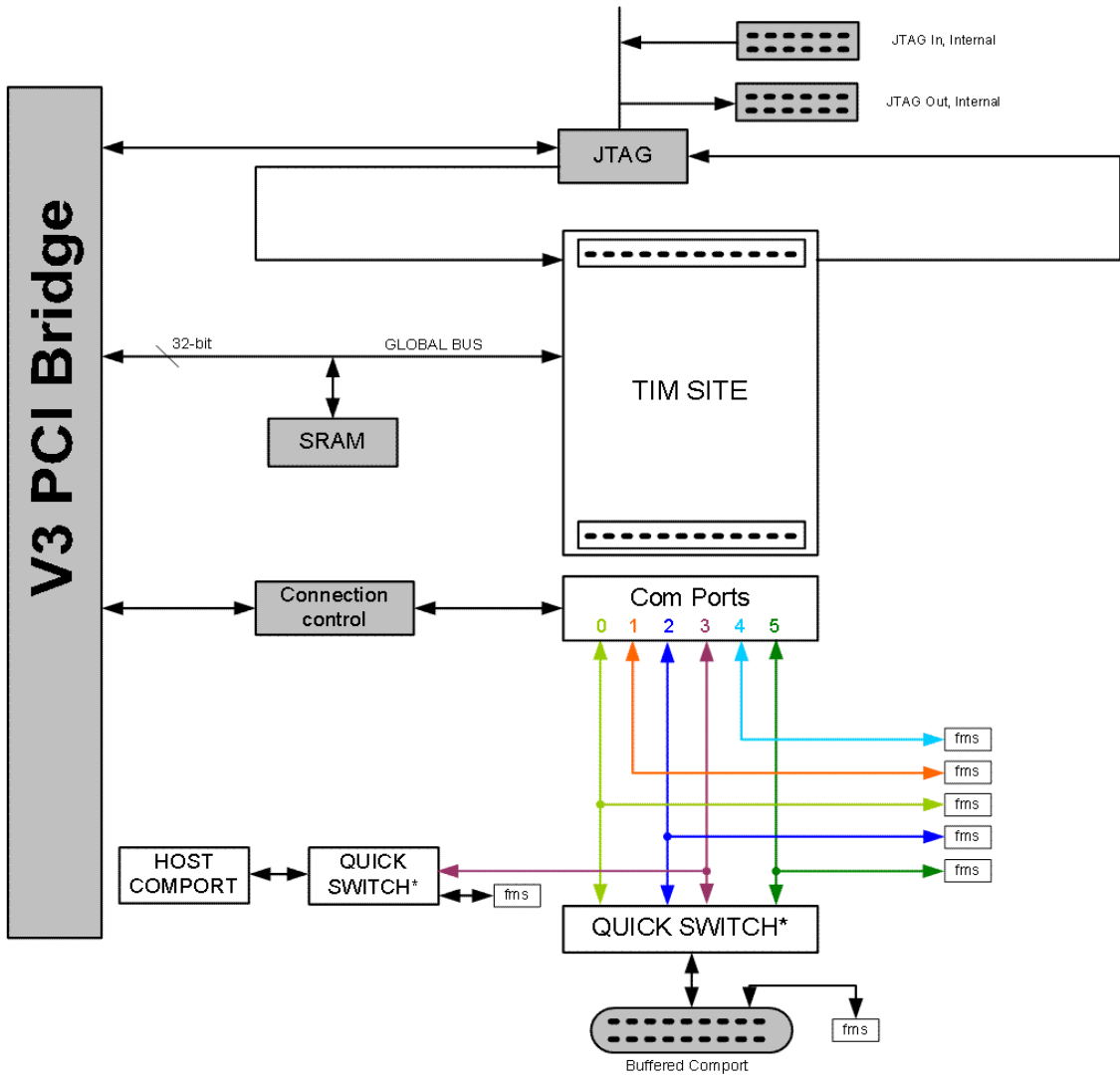


SMT 410



*Quick Switches set up using the comport configuration register (bari, offset 20₁₆)