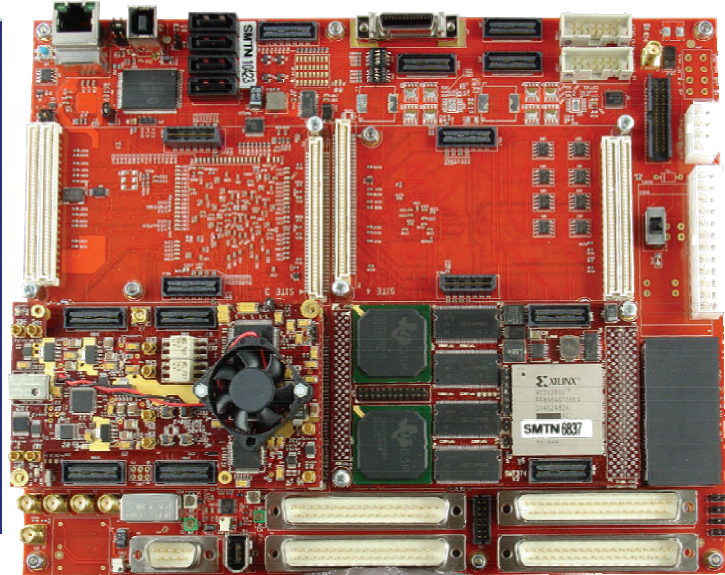
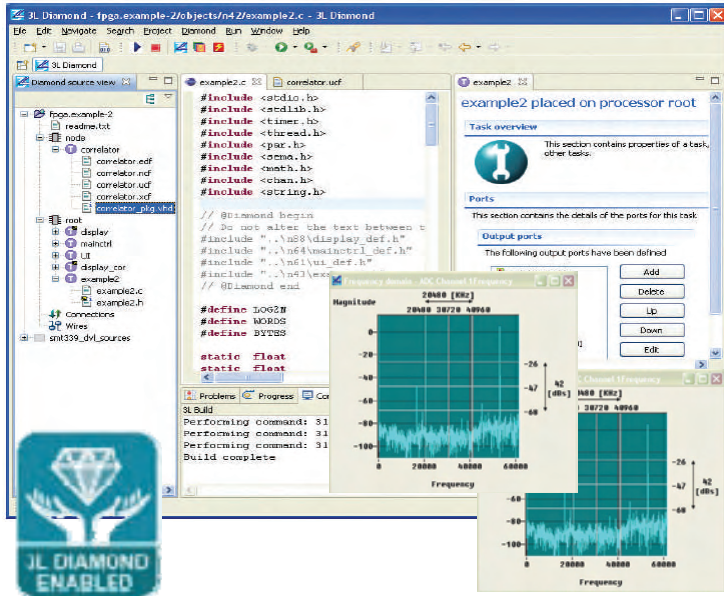


Software Defined Radio 2.0



Overview >>>>

Our newest special university offer is an all-in-one hardware development platform with all the software drivers and design tools for Windows® XP 32-bit included.

The software development is based on 3L Diamond multiprocessor tool-suite: an easy-to-use design model and user friendly integrated development environment.

Diamond supports industry-standard design languages (ANSI-C and VHDL). It also allows FPGA IP cores and DSP software libraries to be reused through a task-based design.

The SDR-2 development kit is delivered with a hardware/software framework project to insure engineers' project kick-start.

Features

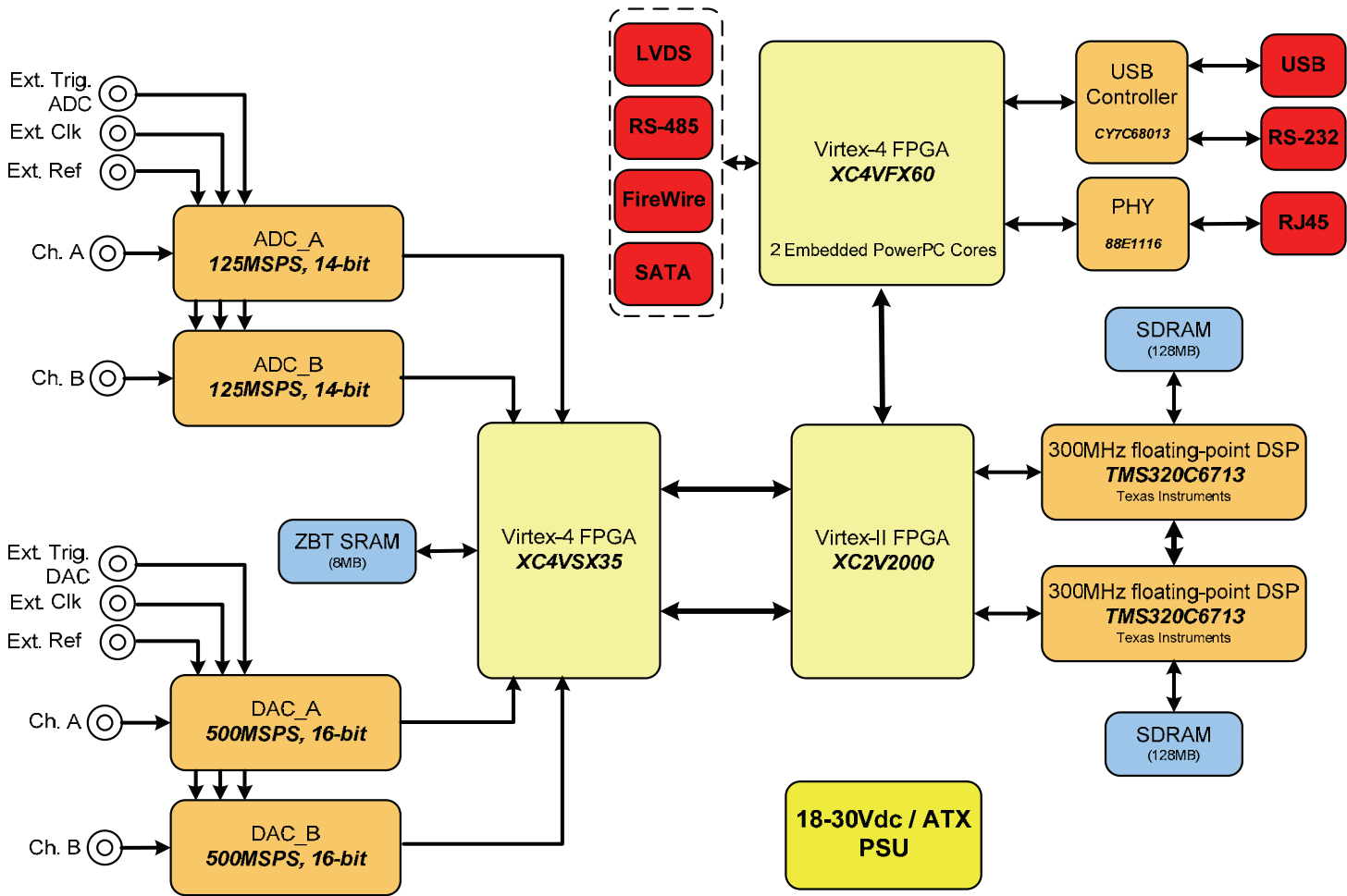
- **USB, JTAG & Ethernet-ready Platform**
- **Dual TI 300MHz Floating-Point DSPs**
On demand: Dual 1GHz Fixed-Point DSPs
- **Xilinx Virtex-4 SX35 & FX60 FPGA**
- **Two 125MHz, 14-bit A/D channels**
- **Two 500MHz, 16-bit D/A channels**
- **Onboard SDRAM and Flash resources**
- **Code Composer Studio** included for FREE
- **3L Diamond** tool-suite with **software demo**
- **SMT6048** USB driver and software API

Promotional add-ons

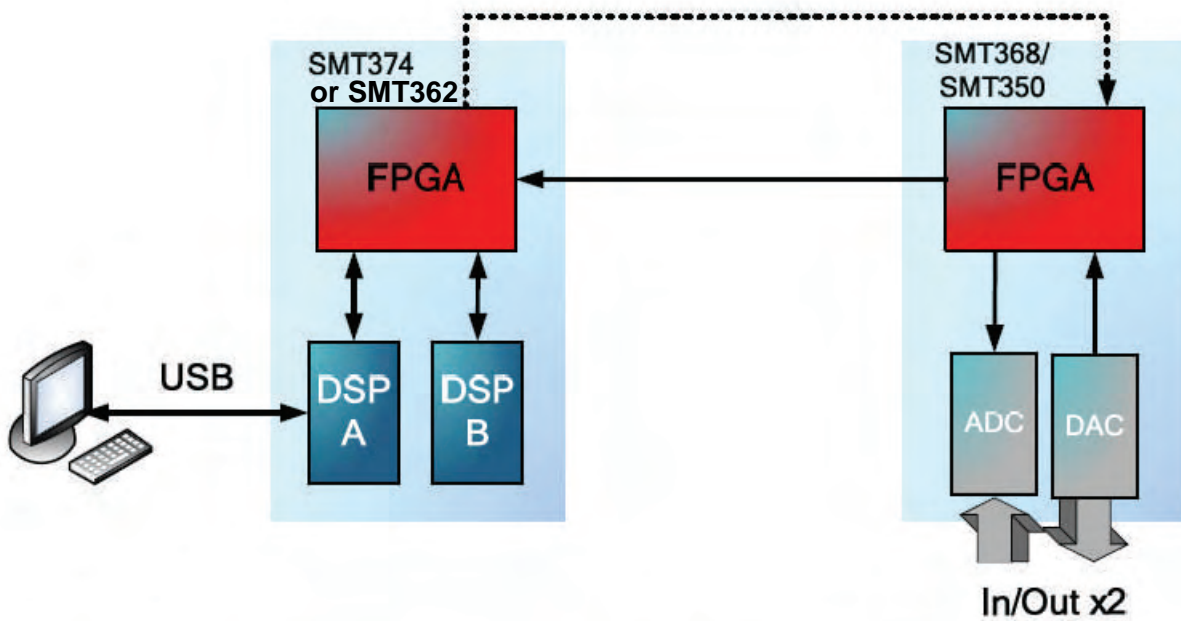
- **SMT6040 Simulink™** toolbox
powerful Model-based design
- **SMT6058 Ethernet-BSP**
- **SMT349 IF/RF front-end**
Antenna to/from SDR Baseband
- **PARS** model-based development tool for *Parallel Application*



Complete system block diagram



Simplified system architecture diagram



Kit Contents

Clicking on the items of the first column of the table will take you directly to the product web pages where you can download FULL information and technical documentation such as user manuals, technical specifications, etc.

SDR Kit	Description	Floating-Point Solution	Fixed-Point Solution
SMT8146¹	SDR - With Floating-Point DSPs	YES	NO
SMT8246¹	SDR - With Fixed-Point DSPs	NO	YES
CCS²	Code Composer Studio	YES	YES
Diamond DSP	Diamond DSP - Single DSP license, requires Code Composer Studio	YES	YES
Diamond FPGA	Diamond FPGA - Single FPGA license	YES	YES
SMT6048	USB Driver Support for SMT148-FX	YES	YES
	Normal Price	€19.050	€21.267
	Special University Price	€5.715 \$8,220	€6.380 \$9,180

1. Texas Instruments (TI) will donate a copy of the full version of Code Composer Studio (CCS).
Europe: Sundance will take care to apply directly to TI Europe and will contact customers on this matter.
Rest of the World: The procedure is different and customers can apply directly. Please [click here](#).
TI will send CCS directly to the end-user customers both in Europe and in the Rest of the World.
2. All prices above are for volume orders of 10+ units, as per our official price list.
3. donation, check out this webpage: http://www.xilinx.com/univ/don_program.htm and specify to have the chips delivered to Sundance.
4. Texas Instruments will provide a copy of the full version of Code Composer Studio (CCS) to each University who buys one of these packages. TI will send CCS directly to the purchasers after they will have placed their order with SUNDANCE.
5. All prices above are for volume orders of 10+ units, as per our official price list.

Discounted Add-Ons

Any Customer who buys an SDR Kit is entitled to a 50% discount on the following add-ons for their Kit:

Add-on Module	Description
SMT349	IF/RF front-end module
SMT310-XDS	SMT310 XDS510 JTAG controller with 1-module site "HOST"
SMT6040	Sundance < > Simulink® Toolbox for DSP & FPGA co-design and code generation
SMT6058	Ethernet Server/Driver for SMT148-FX
PARS	Model based development tool for Parallel Application

Training Course and Technical Support

The package comes with full documentation, examples, demo applications, source code and whatever essential to provide self-training to users. On top of that, SUNDANCE offers an online Technical Support System (<http://support.sundance.com>): each customer is allocated to a dedicated private FORUM and one or more engineers will provide Support through it.

Please download the document [SUNDANCE HELP](#), which is intended to give you an overview of the hardware, firmware and software available from Sundance.

Support for TI Code Composer Studio is provided through the "ECSC" ([Customer Support Center: Europe](#)).

Benefits

- About 70% Discount applied
- Modularity, flexibility, scalability & upgradability
- All required software included
- Online "Getting Started Support"

Applications

- University SDR research
- Military & public safety telecoms
- Wireless cellular phone prototypes
- High-speed data acquisition
- High-energy physics
- Biomedical research

Where to Buy?

University.Offers@sundance.com