

Unit / Module Description:	
Unit / Module Number:	SMT551E
Document Issue Number:	1.0
Issue Date:	22 nd July 2008
Original Author:	GKP

SMT551E

Technical/Design Specification

Sundance Multiprocessor Technology Ltd, Chiltern House,
Waterside, Chesham, Bucks. HP5 1PS.

This document is the property of Sundance and may not be copied
nor communicated to a third party without prior written
permission.

© Sundance Multiprocessor Technology Limited 2008



Certificate Number FM 55022

Revision History

Issue	Changes Made	Date	Initials
1.0	First draft.	22/7/08	GKP

Table of Contents

1	Introduction.....	4
2	Related Documents.....	4
3	Block Diagram.....	4
4	Footprint.....	5
5	Physical Properties	6
6	SATA Signal Compatibility	6
7	Safety.....	7
8	EMC	7
9	Verification, Review and Validation Procedures	7



1 Introduction

The SMT551E is a small PC rear panel mounted card containing two eSATA connectors and two fibre modules (type: Stratos RJS_ST31).

Each of the 4 serial interfaces is connected to a Sundance RSL connector. This connector can be joined to a TIM via an RSL cable.

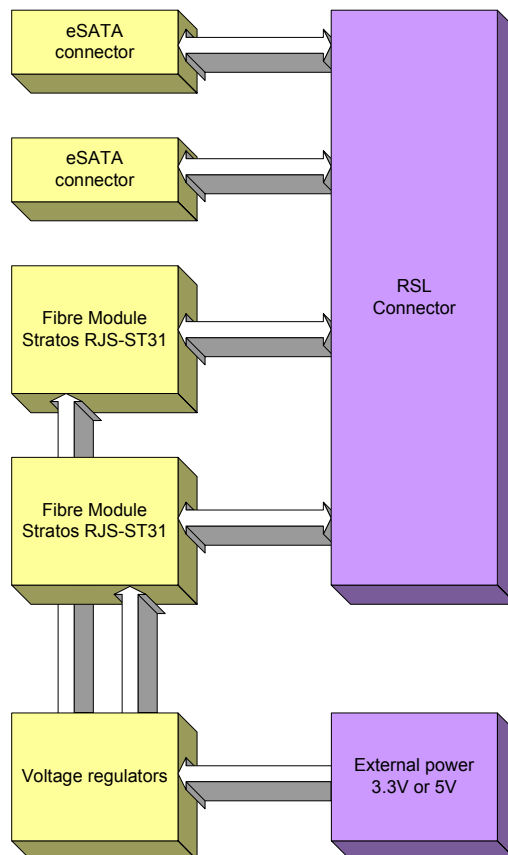
2 Related Documents

[Sundance SHB specification.](#)

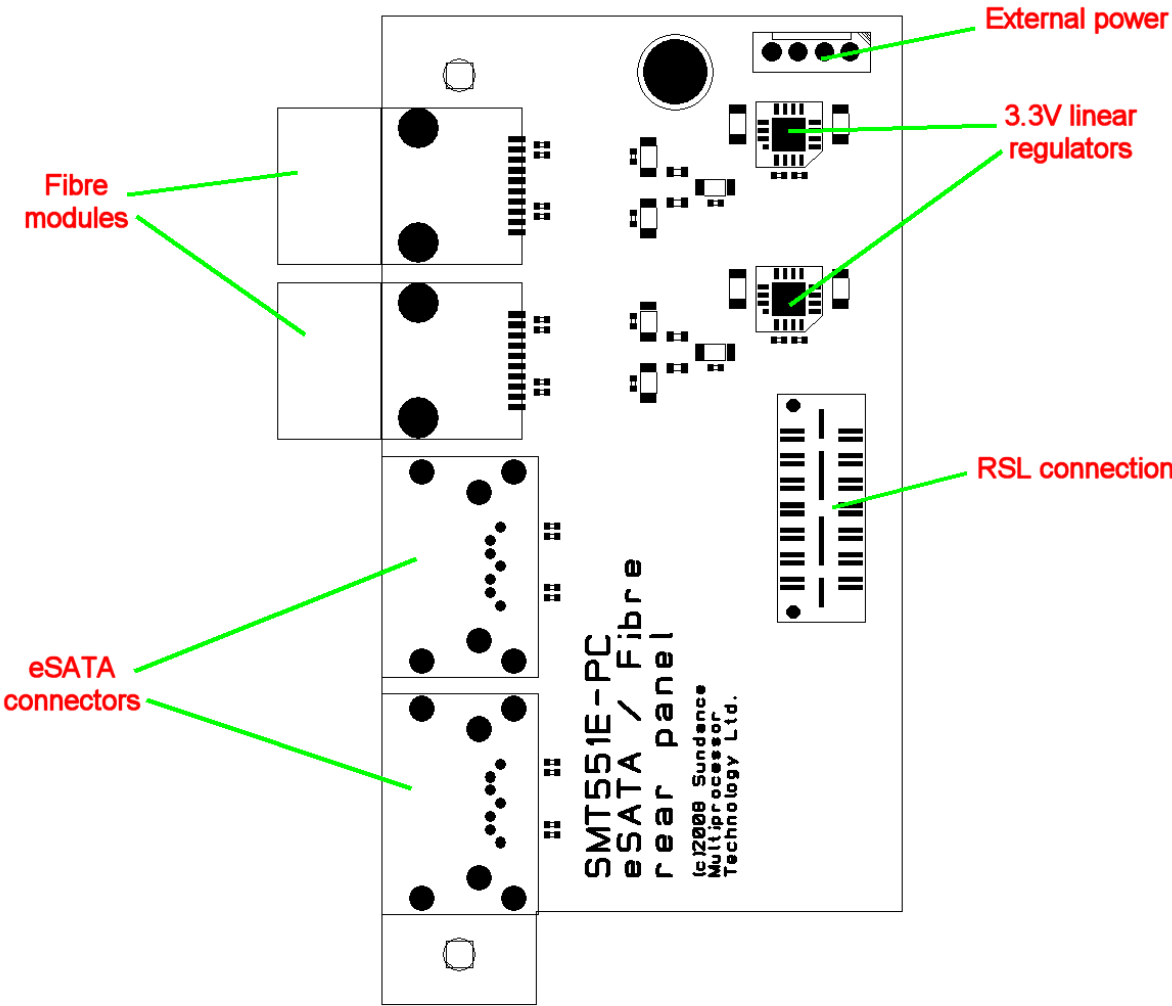
[TIM40 Specification](#)

[Stratos RJS_ST31](#) (http://stratosoptical.com/UserFiles/PDF/RJS_ST31.pdf)

3 Block Diagram



4 Footprint

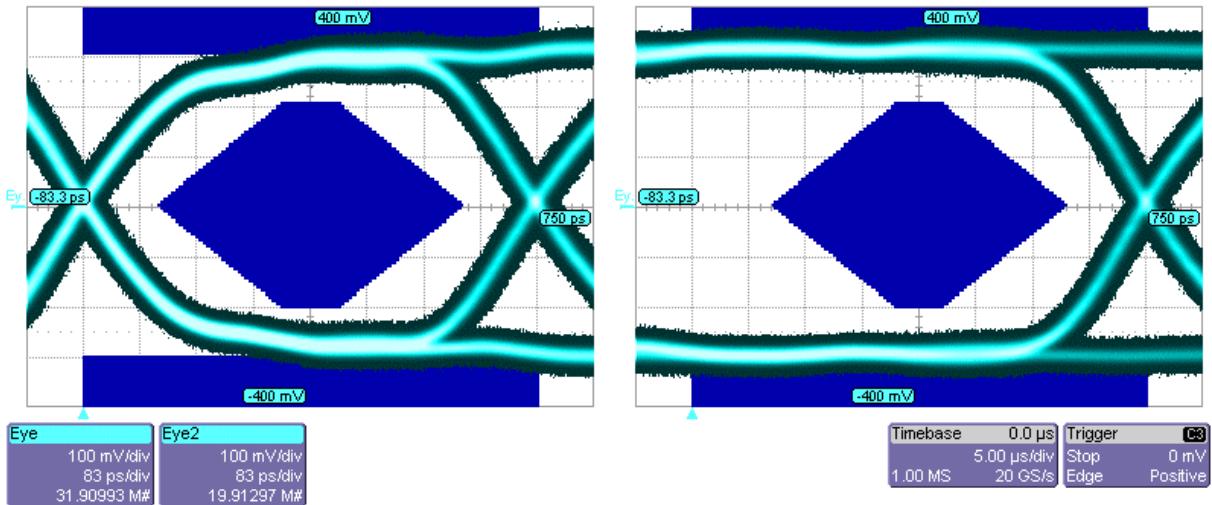


5 Physical Properties

Dimensions		
Weight		
Supply Voltages		
Supply Current	+ 12V	0
Either but not both	+ 5V	400mA
	+ 3.3V	400mA
	- 5V	0
	- 12V	0
MTBF		

6 SATA Signal Compatibility

The following eye pattern shows the transmitter output at the eSATA connector with SATA-I mask, using an SMT351T-SX50 and a 25cm flexi-pcb RSL cable. The MGT is set to 300mV Tx Diff Output Swing.



7 Safety

This module presents no hazard to the user when in normal use.

8 EMC

This module is designed to operate from within an enclosed host system, which is build to provide EMC shielding. Operation within the EU EMC guidelines is not guaranteed unless it is installed within an adequate host system.

This module is protected from damage by fast voltage transients originating from outside the host system which may be introduced through the output cables.

Short circuiting any output to ground does not cause the host PC system to lock up or reboot.

9 Verification, Review and Validation Procedures

All procedures in accordance with Sundance's quality manual.